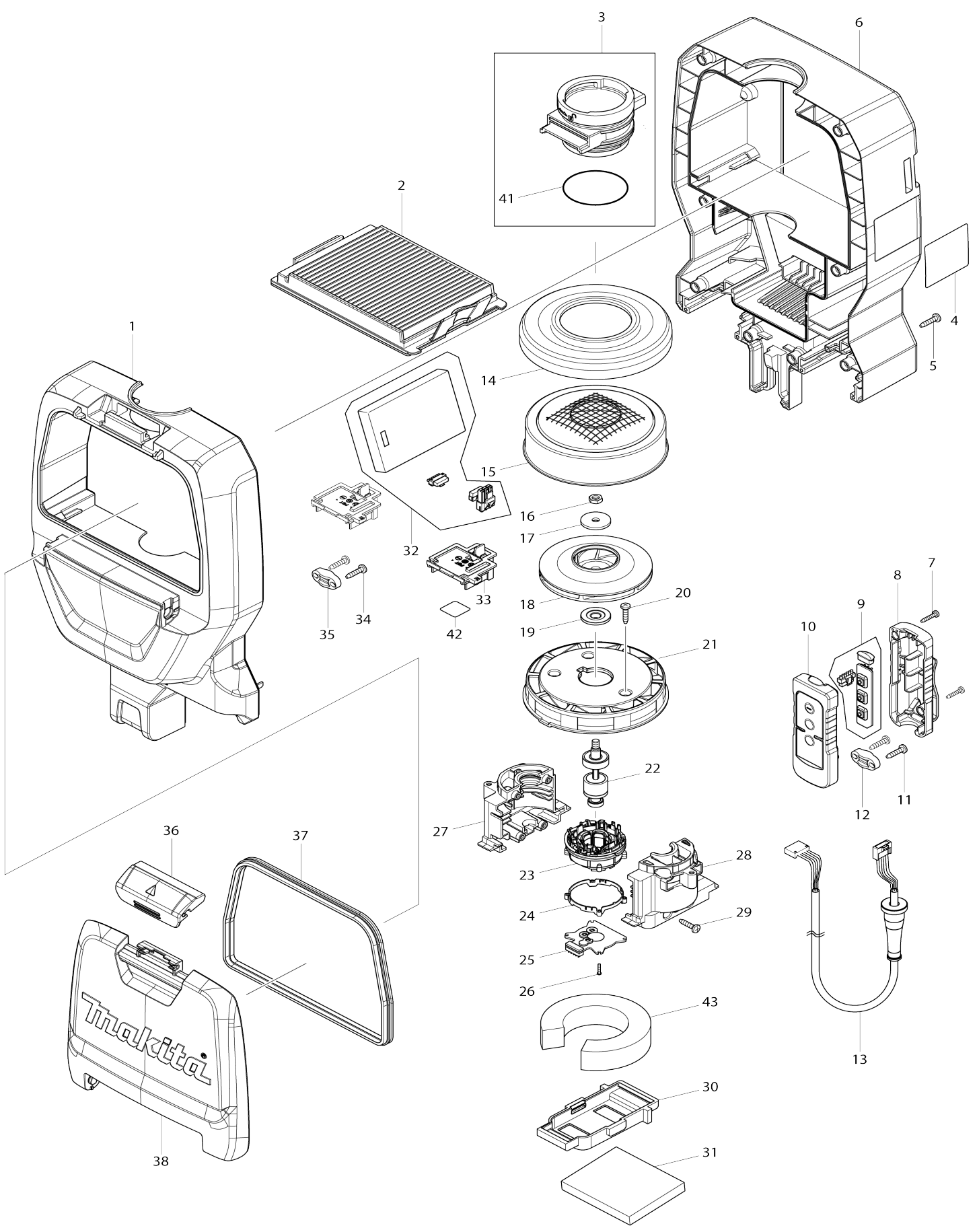
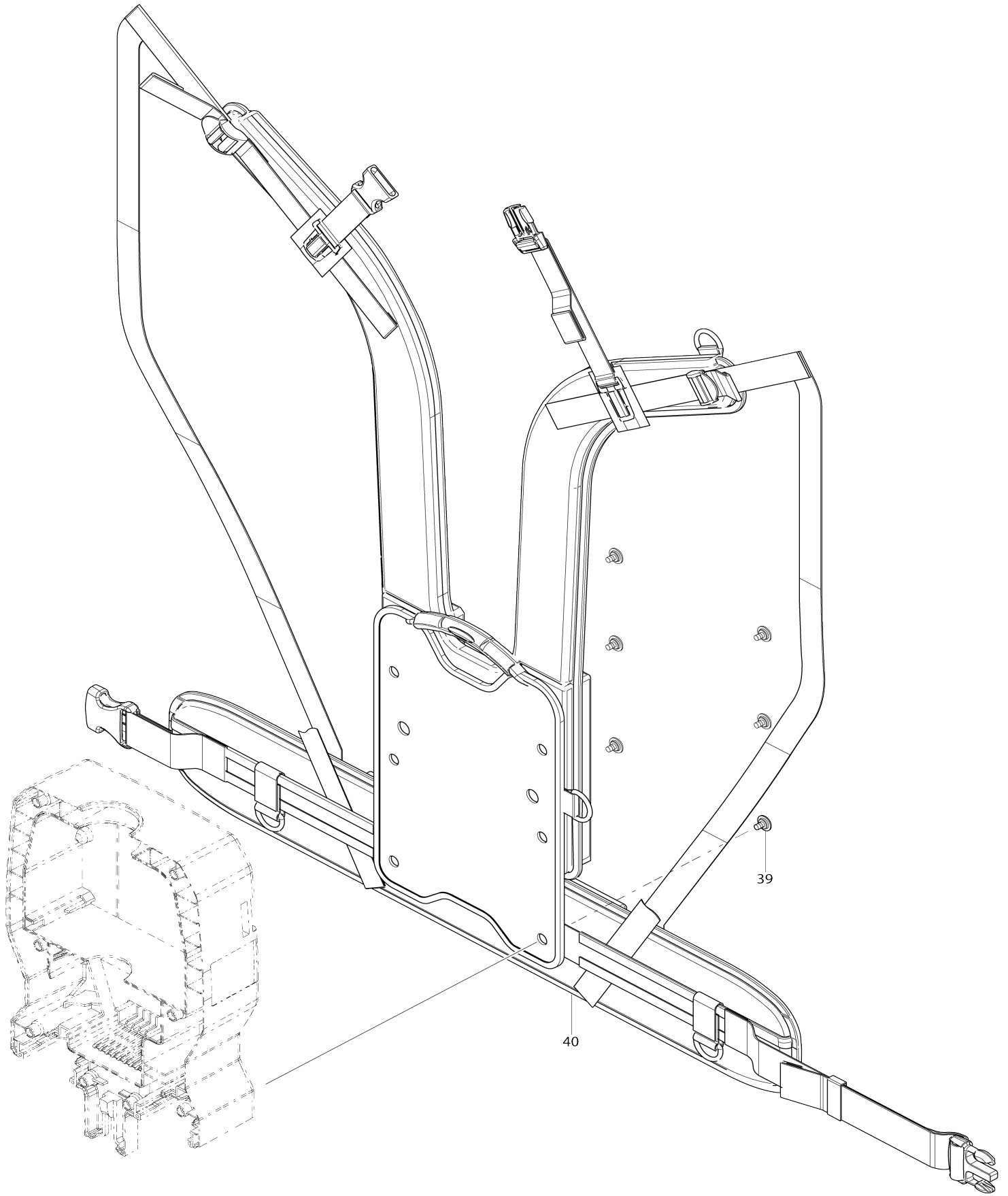


# Model No.DVC261 DC BACKPACK VACUUM CLEANER



Model No.DVC261 DC BACKPACK VACUUM CLEANER



# Model No.DVC261 DC BACKPACK VACUUM CLEANER

Item No.	Parts No.	Description
001	140G16-6	UPPER HOUSING COMPLETE
C10	263005-3	RUBBER PIN 6
C20	422373-5	BAND DAMPER A
002	123636-9	HEPA FILTER ASSEMBLY
C10	153820-2	VALVE COMPLETE
002-1	127725-2	FILTER ASSEMBLY
C10	153820-2	VALVE COMPLETE
003	135771-1	INLET ASS'Y
003		INC. 41
004	854Y90-3	DVC261 NAME PLATE
005	266326-2	TAPPING SCREW 4X18
006	140F61-5	LOWER HOUSING COMPLETE
C10	422374-3	BAND DAMPER B
007	266130-9	TAPPING SCREW BIND PT 3X16
008	183K74-3	SWITCH CASE SET
C10	818F86-4	SWITCH LABEL
008		INC. 10
009	620525-4	SUB CONTROLLER
010	183K74-3	SWITCH CASE SET
C10	818F86-4	SWITCH LABEL
010		INC. 8
011	266326-2	TAPPING SCREW 4X18
012	687123-7	STRAIN RELIEF
013	699077-6	POWER SUPPLY CORD UNIT
013-1	699136-6	POWER SUPPLY CORD UNIT
013-2	699136-6	POWER SUPPLY CORD UNIT
014	422376-9	SUPPORT RING
015	161804-6	FAN COVER
016	931303-0	HEX. NUT M6
016-1	252268-6	HEX. NUT M6
017	322407-3	WASHER 6
018	241851-4	FAN 94
019	313062-2	FLANGE
020	266326-2	TAPPING SCREW 4X18
021	456736-3	FAN BASE
022	619517-8	ROTOR
022-1	619517-8	ROTOR
022-2	619517-8	ROTOR
023	629381-9	STATOR
024	687464-1	SUPPORT
025	620526-2	CONTROLLER B
026	266786-8	+ PAN HEAD TAPPING SCREW 2X 10
027	183D13-1	MOTOR HOUSING SET
027		INC. 28
028	183D13-1	MOTOR HOUSING SET
028		INC. 27
029	266326-2	TAPPING SCREW 4X18

030	424837-5	SUPPORT A
031	424838-3	REAR BLOCK FILTER
032	620992-3	CONTROLLER
033	644808-8	TERMINAL
034	266326-2	TAPPING SCREW 4X18
035	687123-7	STRAIN RELIEF
036	123586-8	LATCH ASSEMBLY
037	424836-7	SEAL
038	456739-7	DUST BOX COVER
039	265008-3	+ FLAT HEAD SCREW M5
040	162469-7	HARNESS
040-1	162D04-5	HARNESS
040-2	162B50-6	HARNESS
041	213655-4	O RING 56
042	854Y97-9	DVC261 SERIAL NO. LABEL
043	422370-1	BAND DAMPER C
A01	143787-2	HOSE COMPLETE 28-1.0
A02	166116-2	HOSE BAND
A03	197903-8	FILTER BAG SET 2L(10PCS)EU
A03-1	197903-8	FILTER BAG SET 2L(10PCS)EU
A04	197901-2	FLEXIBLE RUBBER NOZZLE SET E U
A05	123486-2	FLOOR T-NOZZLE 28 WHI
C10	451410-8	ROLLER
C20	268208-4	PIN 3
C30	422963-4	WIPER
A06	123584-2	TELESCOPIC PIPE ASSEMBLY 28
A07	126756-8	BENT PIPE ASSEMBLY
F10	192236-6	TAPERED NOZZLE SET
F13	195545-2	FRONT CUFF 38 SET
F14	195546-0	FRONT CUFF 24 SET
F15	195547-8	FRONT CUFF 22 SET
F16	195548-6	JOINT 22-38 SET
F17	195549-4	T-NOZZLE ASSY A SET(DRY)38
F18	195551-7	T-NOZZLE SET 38
F28	198184-7	F/C SWITCHING T-NOZZLE 38
F32	198533-8	F/C SWITCHING T-NOZZLE 38 EU
F33	198537-0	SHELF BRUSH SET28 IVO EU
F34	191496-7	FLEXIBLE HOSE SET28(IVO)
F36	198552-4	ROUND BRUSH SET 28 IVO
F39	198560-5	TELESCOPIC PIPE SET 28 EU
F42	198868-7	FLEXIBLE HOSE SET28(WHI)
F44	198873-4	SHELF BRUSH SET28 WHI
F46	198878-4	ROUND BRUSH SET 28 WHI
F48	198919-6	LONG SASH NOZZLE SET 28 WHI
F51	198990-0	LONG SASH NOZZLE SET 28 BLU
F53	198992-6	LONG SASH NOZZLE SET 28 BLK
F55	199038-1	SEAT NOZZLE SET 28 WHI
F56	199039-9	SEAT NOZZLE SET 28 BLK
F58	199041-2	SEAT NOZZLE SET 28 BLU
F63	199491-1	CYCLONE ATTACHMENT SET
F65	199439-3	CREVICE NOZZLE 415 SET

F68	199843-6	PIPE 465 COMPLETE SET
F69	199844-4	JOINT PIPE 465 SET
F70	191B15-1	CLEANING WAND SET
F72	191E30-3	FLEXIBLE HOSE SET(LOCK)
F75	191D71-3	CYCLONE ATTACHMENT SET (LOCK)
F76	191D73-9	CYCLONE ATTACHMENT SET (LOCK)
F78	191D75-5	CYCLONE ATTACHMENT SET
F79	191D76-3	STRAIGHT PIPE SET 340
F80	191D77-1	STRAIGHT PIPE SET 340
F81	191D78-9	STRAIGHT PIPE SET 340
F83	191D80-2	STRAIGHT PIPE SET 320
F86	191M77-5	JOINT A 32 SET
F87	191M78-3	JOINT B 35 SET
F88	191M79-1	JOINT C 38 SET
F90	191X06-4	NOZZLE ASSEMBLY SET
F91	1910S4-7	PROTECTION COVER SET
F96	1914Y6-9	ROTARY BRUSH NOZZLE SET
F97	1914Y7-7	ROTARY BRUSH NOZZLE SET
F98	191Y14-1	HARNES COVER SET
F99	1914A7-9	ANGLE ATTACHMENT SET
G09	1912G4-5	TELESCOPIC PIPE COMPLETE SET
G10	1912G5-3	BENT PIPE COMPLETE SET